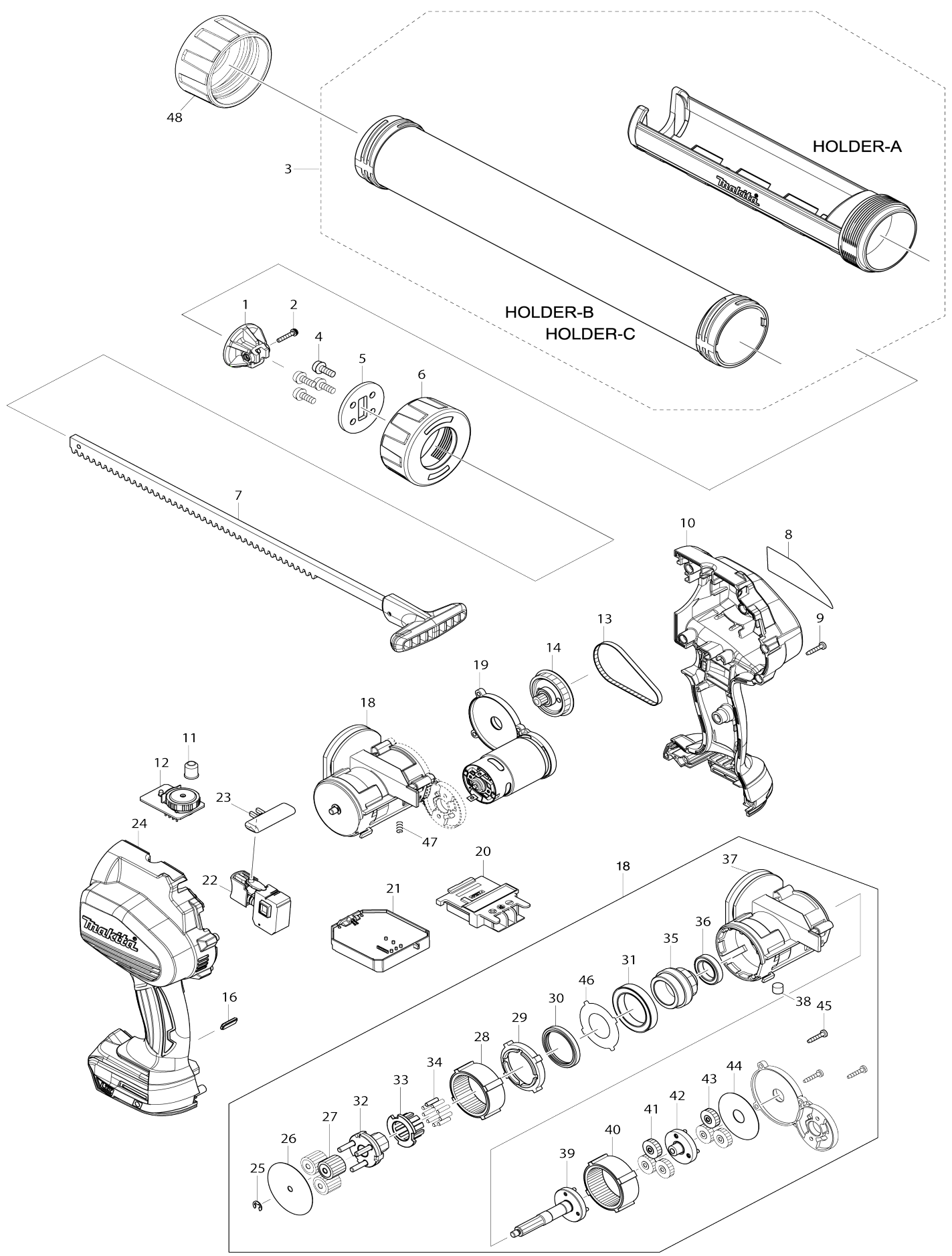


Model No.DCG180 CORDLESS CAULKING GUN



Model No.DCG180 CORDLESS CAULKING GUN

Item No.	Parts No.	Description	Interchangability	Q'ty	New/Old	Note1	Note2
001	142072-0	PISTON B COMPLETE		1			
001	142071-2	PISTON A COMPLETE		1			
002	266827-0	PAN HEAD SCREW M3X18 WITH WR		1			
003	141861-0	HOLDER B COMPLETE		1	*		
003	454275-7	HOLDER A		1			
003-1	141M10-7	HOLDER B COMPLETE	S	1			
004	265074-0	PAN HEAD SCREW M5X16		4			
005	346649-5	PLATE		1			
006	318958-2	HOLDER JOINT B		1	*		
006	454223-6	HOLDER JOINT A		1			
006-1	312D41-1	HOLDER JOINT B	S	1			
007	142042-9	RACK 64 COMPLETE		1			
007	142041-1	RACK 42 COMPLETE		1			
008	815F86-5	DCG180 NAME PLATE		1			
009	266429-2	TAPPING SCREW 3X16		9	*		
009-1	266130-9	TAPPING SCREW BIND PT 3X16	O	9			
010	187618-5	HOUSING SET		1			
C10	263005-3	RUBBER PIN 6		2			
010		INC. 24					
011	418821-0	LENS		1			
012	620180-2	SUB CONTROLLER		1			
013	225097-0	SYNCHRO BELT 4-176		1			
014	142038-0	SPUR GEAR 9A COMPLETE		1			
016	454230-9	LENS		1			
018	126253-4	GEAR ASSEMBLY		1			
018		INC. 25-46					
019	142066-5	MOTOR COMPLETE		1			
020	643860-3	TERMINAL		1			
021	632A61-4	CONTROLLER UNIT		1	*		
C10	688172-7	LINE FILTER		1	*		
021-1	632L34-3	CONTROLLER UNIT	O	1	*		
C10	688172-7	LINE FILTER		1	*		
021-2	632W17-9	CONTROLLER UNIT	<	1			
C11	688172-7	LINE FILTER	O	1			
022	650632-9	SWITCH		1			
023	451162-1	LOCK LEVER		1			
024	187618-5	HOUSING SET		1			
C10	263005-3	RUBBER PIN 6		2			
024		INC. 10					
025	961011-9	STOP RING E-4		1			
026	267465-1	FLAT WASHER 5		1			
027	227311-0	SPUR GEAR 19B		3			
028	227309-7	INTERNAL GEAR 48		1			
029	454220-2	SPACER		1	*		
029-1	144375-8	SPACER COMPLETE	S	1			
030	213768-1	OIL SEAL 30		1	*		
031	211294-4	BALL BEARING 6806LLU		1			

032	141860-2	CARRIER A COMPLETE		1		
033	313253-5	CARRIER B		1		
034	256255-7	PIN 3		9		
035	227312-8	SPUR GEAR 10		1		
036	211482-3	BALL BEARING 6803LLU		1		
037	454219-7	GEAR HOUSING		1		
038	313257-7	MAGNET		1		
039	141859-7	SPUR GEAR 9C COMPLETE		1		
040	227309-7	INTERNAL GEAR 48		1		
041	227310-2	SPUR GEAR 19A		3		
042	141858-9	SPUR GEAR 9B COMPLETE		1		
043	227310-2	SPUR GEAR 19A		3		
044	267466-9	FLAT WASHER 12		1		
045	266429-2	TAPPING SCREW 3X16		3	*	
045-1	266130-9	TAPPING SCREW BIND PT 3X16	O	3		
046	346721-3	PLATE 23		1		
047	234315-5	COMPRESSION SPRING 6		1		
048	318958-2	HOLDER JOINT B		1	*	
048-1	312D41-1	HOLDER JOINT B	S	1		
A01	195246-2	SAFETY GOGGLE		1	*	
A02	123221-8	PISTON C ASSEMBLY		1		
A02	***DC18RC	DC18RC FAST CHARGER		1		
A03	142071-2	PISTON A COMPLETE		1		
A03	194204-5	BATTERY BL1830 SET		2	*	
A03	196399-0	BATTERY BL1840 SET		2	*	
A03-1	194204-5	BATTERY BL1830 SET	O	2	*	
A03-1	196399-0	BATTERY BL1840 SET	O	2	*	
A03-2	197600-6	BATTERY BL1830B SET	<	2	*	
A03-2	197265-4	BATTERY BL1840B SET	<	2	*	
A03-2	197254-9	BATTERY BL1820B SET		1		
A03-3	197600-6	BATTERY BL1830B SET	O	2		
A03-3	197265-4	BATTERY BL1840B SET	O	2		
A04	266827-0	PAN HEAD SCREW M3X18 WITH WR		2		
A04	821568-1	PLASTIC CASE		1		
C10	162271-8	LATCH		2		
A05	424547-4	RUBBER RING		1		
A05	802X73-1	DCG180RFE PLASTIC CASE LABEL		2		
A05	805E65-5	DCG180RME PLASTIC CASE LABEL		2		
A06	454226-0	NOZZLE		3		
A06	450128-8	BATTERY COVER		1		
A07	***DC18RC	DC18RC FAST CHARGER		1		
A08	194204-5	BATTERY BL1830 SET		2	*	
A08	196460-3	BATTERY BL1820 SET		2	*	
A08	196399-0	BATTERY BL1840 SET		2	*	
A08-1	194204-5	BATTERY BL1830 SET	O	2	*	
A08-1	197254-9	BATTERY BL1820B SET	<	2	*	
A08-1	196399-0	BATTERY BL1840 SET	O	2	*	
A08-2	197600-6	BATTERY BL1830B SET	<	2	*	
A08-2	197254-9	BATTERY BL1820B SET	O	2		
A08-2	197265-4	BATTERY BL1840B SET	<	2	*	

A08-3	197600-6	BATTERY BL1830B SET	O	2		
A08-3	197265-4	BATTERY BL1840B SET	O	2		
A09	821568-1	PLASTIC CASE		1		
C10	162271-8	LATCH		2		
A10	802X74-9	DCG180RFEB PLASTIC CASE LABEL		2		
A10	805D12-0	DCG180RAEX PLASTIC CASE LABEL		2		
A10	805E66-3	DCG180RMEB PLASTIC CASE LABEL		2		
A11	450128-8	BATTERY COVER		1		
A12	454275-7	HOLDER A		1		
A13	454223-6	HOLDER JOINT A		1		
A14	142041-1	RACK 42 COMPLETE		1		
F06	194513-2	BATTERY BL1815 SET		1		
F07-3	197606-4	BATTERY BL1830B SET (2PIECES)	O	1	*	
F08	195445-6	BATTERY BL1815 SET		1		
F09	196351-8	HOLDER A SET		1		
F10-1	1911T4-0	HOLDER B SET	O	1		
F11-2	196235-0	BATTERY BL1815N SET	O	1		
F12-1	196449-1	BATTERY BL1815N SET	O	1		
F13-2	196449-1	BATTERY BL1815N SET	O	1		
F14	197195-9	HOLDER C SET(TYPE 1)		1		
C10	143220-4	RACK 53 COMPLETE		1		
C20	143221-2	PISTON D COMPLETE		1		
C30	143223-8	HOLDER JOINT C COMPLETE		1		
C40	266827-0	PAN HEAD SCREW M3X18 WITH WR		1		
C50	455951-6	HOLDER C		1		
C60	455952-4	HOLDER JOINT C		1		
F16-1	1911T5-8	HOLDER D SET	O	1		

Please state Parts No. when your order.

Print Date 02/10/2024